



MPK20R

BATTERY POWERED



2000 KG HOOK



1 TON RUNNER JIB



REMOTE CONTROL



- ✓ Proportional & Precise
- ✓ Intuitive layout
- ✓ Spare battery on board

+ WIRE CONTROL

- ✓ Intuitive wire control

990 KG MANIPULATOR



600 KG MANIPULATOR



TILLER BAR



- ✓ All functions available
- ✓ On-off movement

JEKKO TOUCH EXPERIENCE



- ✓ USB port for easy updates
- ✓ 5" IP66 touch screen
- ✓ USB port for phone charging

MAIN BOOM

- ✓ 2000 kg MAX capacity
- ✓ 6,8 m MAX height
- ✓ 4,1 m MAX radius
- ✓ 2 hydraulic + 1 manual extensions
- ✓ High-resistance steel



+60°

± 6° ROTATION

-20°

WINCH



- ✓ 700 kg single line
- ✓ Up to 125 m rope

LONG-LASTING BATTERY

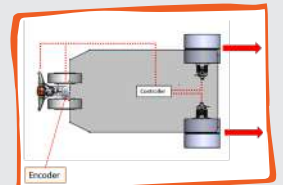


- ✓ Lead-acid batteries
- ✓ 24 V - 420 Ah
- ✓ 110V - 220V charger
- ✓ Battery charger on-board

BIG TOOL BOX

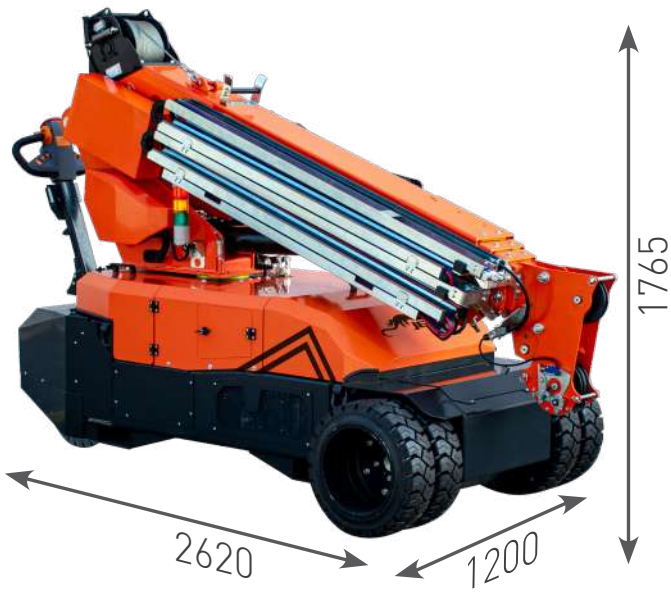
WHEELS

- ✓ Twin wheels
- ✓ Dual drive electronic differential





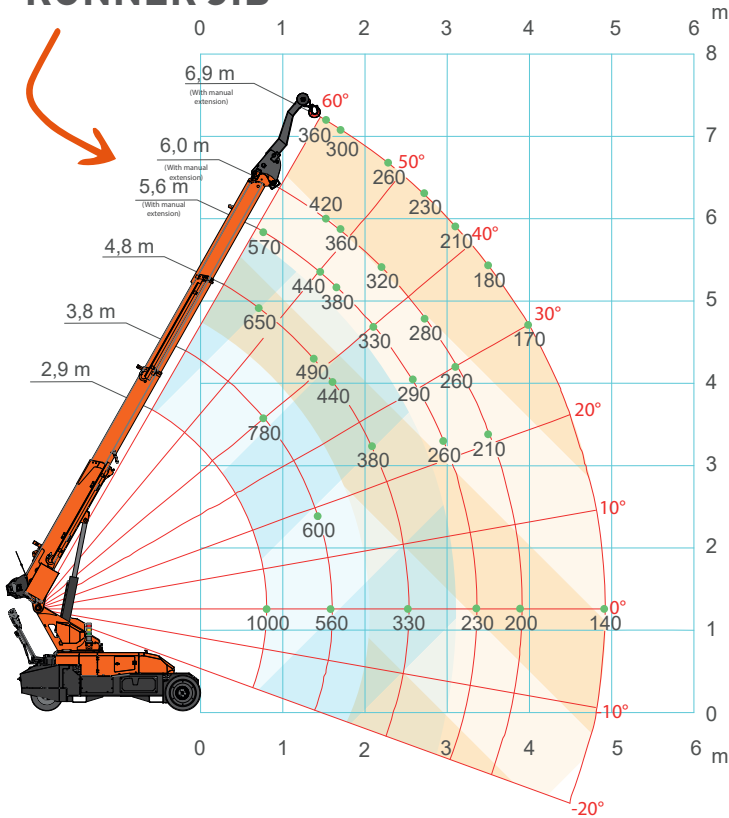
DIMENSIONS (mm)



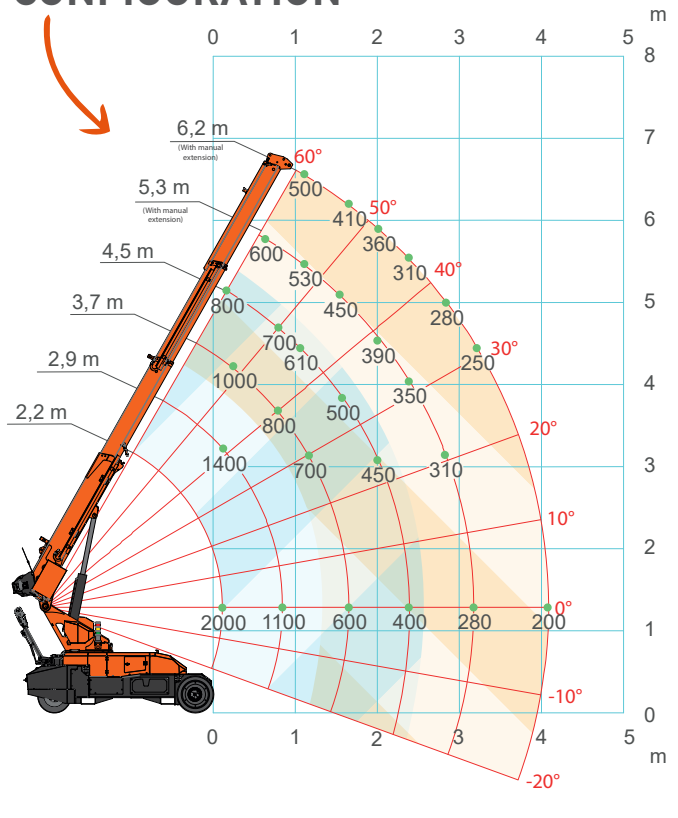
	Kg
MPK20	1452
Counterweight	500
Runner Jib	18



LOAD CHART WITH RUNNER JIB



LOAD CHART WITH HOOK CONFIGURATION



ACCESSORIES

JVM10EV

990 kg glass manipulator

JVM06EV

600 kg glass manipulator

1000 kg RUNNER JIB

