



# JF235

DIESEL + ELECTRIC POWER UNIT



## REMOTE CONTROL



- ✓ Proportional
- ✓ LCD Screen
- ✓ Spare battery

## HYDRAULIC JIB

- ✓ 4 hydraulic telescopic extensions
- ✓ 2075 kg MAX capacity
- ✓ 25 m MAX height
- ✓ Hydraulic extra functions available



## MAN BASKET

- ✓ For MAX 2 people
- ✓ Up to 24 m
- ✓ EN280 certified



## MAIN BOOM

- ✓ 6150 kg MAX capacity
- ✓ 15 m MAX height
- ✓ 4 hydraulic telescopic extensions

## ADDITIONAL ELECTRIC MOTOR



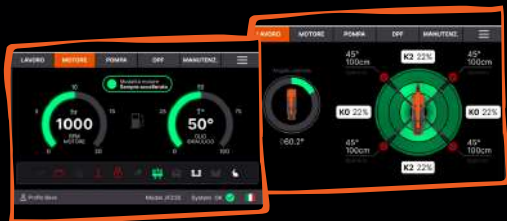
- ✓ On board
- ✓ 50 Hz or 60 Hz
- ✓ Simple switch from diesel
- ✓ 400 -480 V three-phase motor

## WINCH



- ✓ Up to 60 m rope
- ✓ Up to 3 falls
- ✓ For main boom & Jib
- ✓ 2 tons single line

## JEKKO TOUCH EXPERIENCE



- ✓ 7" IP66 touch screen
- ✓ USB port for easy updates
- ✓ USB port for phone charging

## STABILITY

- ✓ 5 different stability levels
- ✓ 4 different stability areas
- ✓ 0 - 45° full-range angle & Telescopic

## 360° ROTATION

## RADIATOR

- ✓ Oil & engine heat exchanger

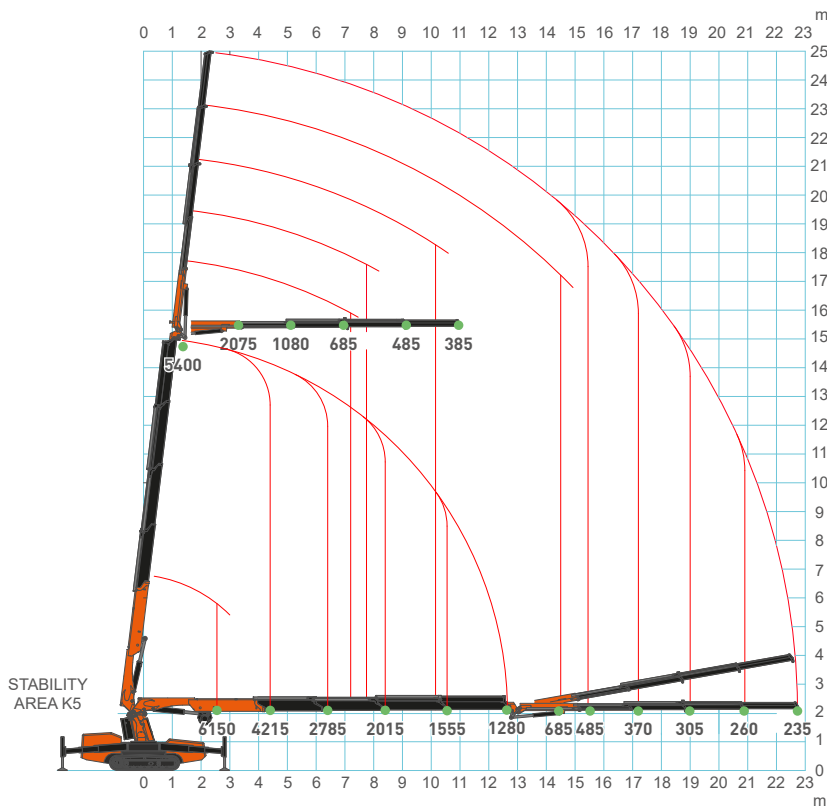
## TRACK PADS

- ✓ Non-marking white plastic pads





# LOAD CHART



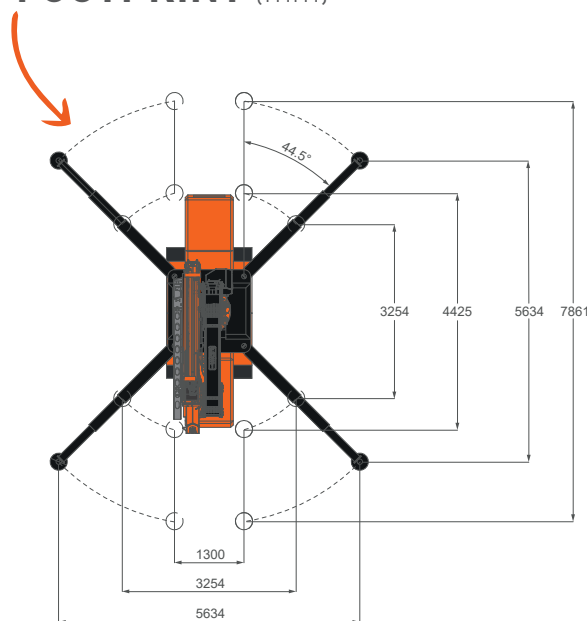
SCAN FOR MORE TECHNICAL DATA

	Kg
JF235	10230
Powerpack	80
Hydraulic Jib	216

## DIMENSIONS (mm)



## FOOTPRINT (mm)



## ACCESSORIES

**JVM800-R**  
800 kg glass manipulator

**HYDRAULIC JIB**  
2075 kg MAX capacity

**RUNNER JIB**  
Stored onboard

**MAN-BASKET**  
For 2 people

